

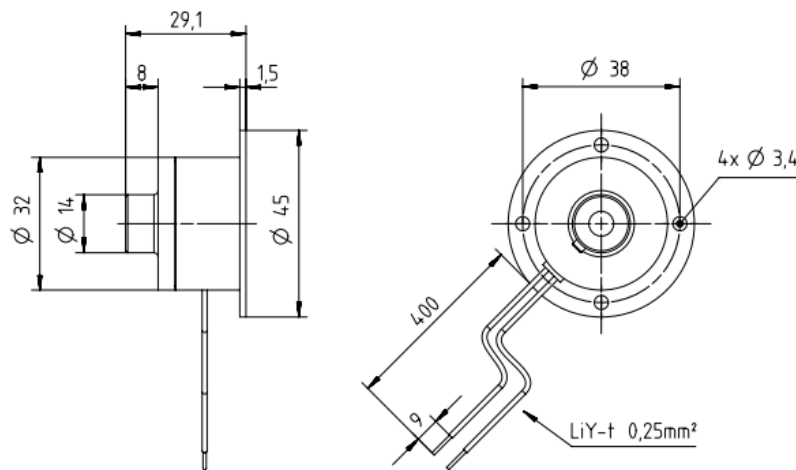
Power-on brake ASB32

for series M42/M48/M50/M63/ECM42/ECM48/ECM63



excellent drives

- Electromagnetic operating current brake
- Chromated coil housing
- Isolation class E
- Protection IP40
- Twisting and cogging torque free



Application on request

Mechanical data

Holding torque	[Ncm]	75
Separation time	[ms]	4
Link time	[ms]	8
Max. speed	[1/min]	10.000
Weight	[kg]	0,1
Temperature range	[°C]	0 - 105

Electrical data

Coil voltage	[VDC]	24
Power	[W]	6
Current	[A]	0,25
Resistance	[Ω]	96

Stand: 6. August 2020 – changes reserved