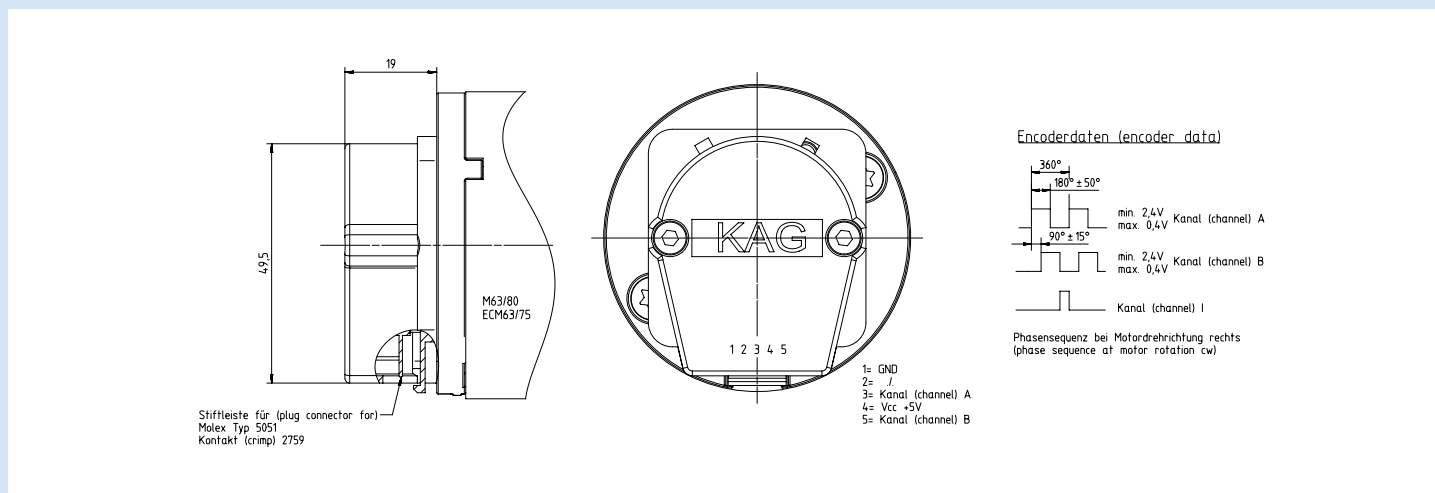


# Optical Encoder IGO x/3 for series M63/M80/ECM63/ECM75

- Non-contact and non-wearing optical incremental encoder
- The encoder supplies two 90° phase-shifted, TTL-compatible square-wave signals
- Mating connector e.g. Molex connector 5-pole Type 5051M with socket Type 2759
- Second shaft end required on motor
- Reference pulse, TTL compatible



## Technical data

Impulses per revolution	[x]	100, 500 (more on request)
Channels		3
Supply voltage	[V]	5 +/-10%
Current consumption	[mA]	57 typ. (85 max.)
Output-voltage High-Level	[V]	min. 2.4 (IoH max. -200µA)
Output-voltage Low-Level	[V]	max. 0.4 (IoL = 3.86 mA)
Rise-Time	[ns]	180*
Fall-Time	[ns]	49*
Temperature range	[°C]	-40 - 100

\* CL = 25pF, RL = 2.7kOhm Pull-up

## Application on request

ID: 11062578

Stand: 22. Oktober 2024 – changes reserved