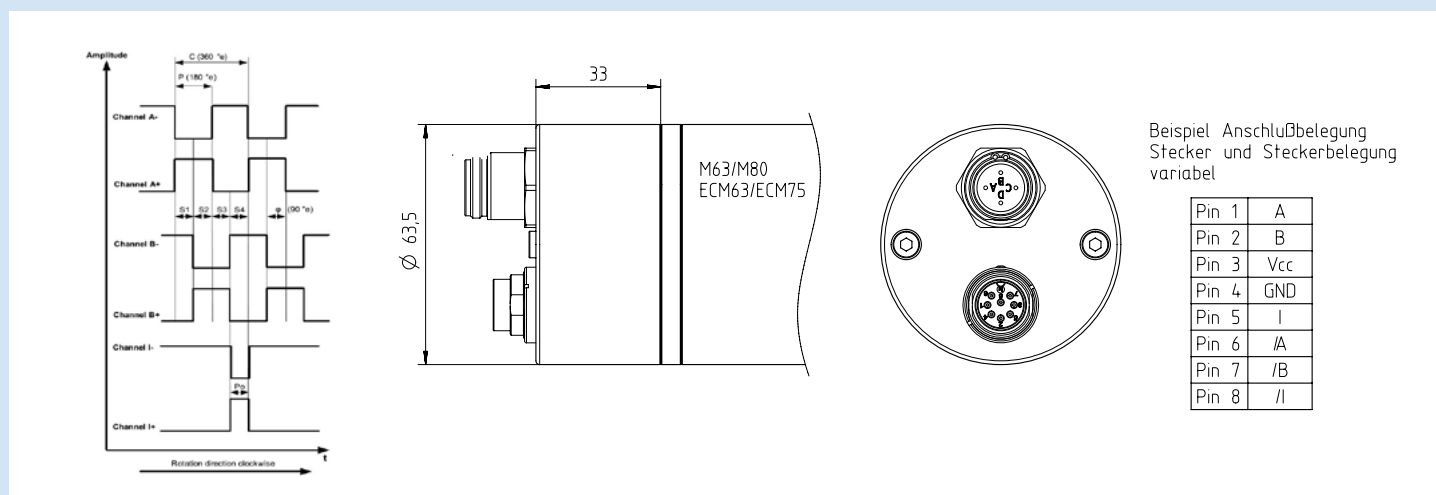


Magnetic Encoder IGM x/y LD for series M63/M80/ECM63/ECM75

- Touchless and wear resistant magnetic incremental encoder
- LineDriver-Function
- Two AB Signals
- One Index Signal
- Velocity: 1 to 30.000 RPM



Technical data

Application on request

Impulses per revolution	[x]	8, 16, 32, 64, 128, 256, 512 or 1024
Channels	[y]	A, B, I
Supply voltage	[V]	5 - 24
Current consumption	[mA]	70 - 90
EIA Standard		RS 422
Output-voltage High-Level minimal	[V]	min. 2.5
Output-voltage Low-Level maximal	[V]	max. 0.5
Rise-Time	[ns]	5
Fall-Time	[ns]	5
Temperature range	[°C]	-20 - 85

Update: 21.03.2024 – changes reserved